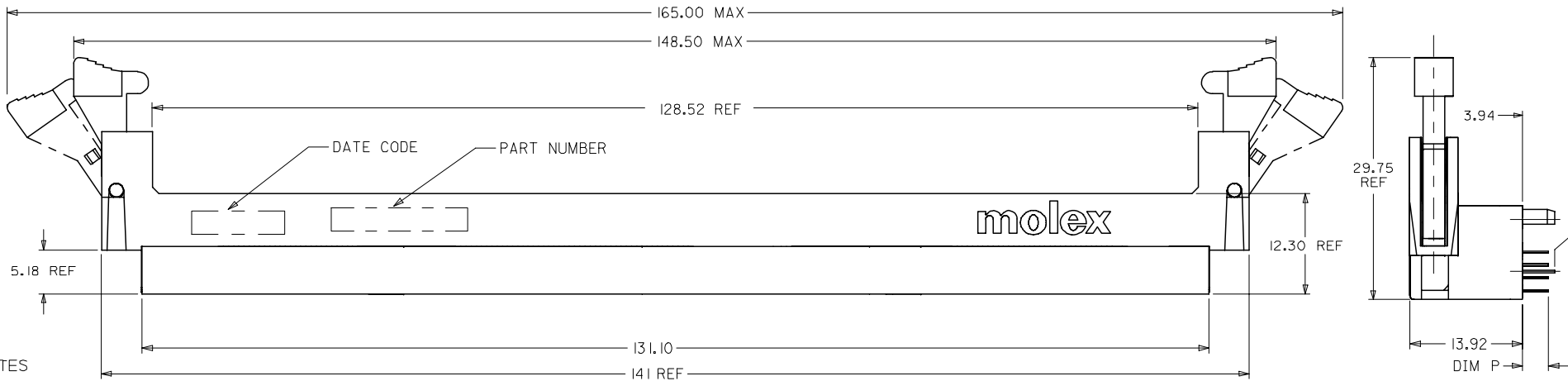
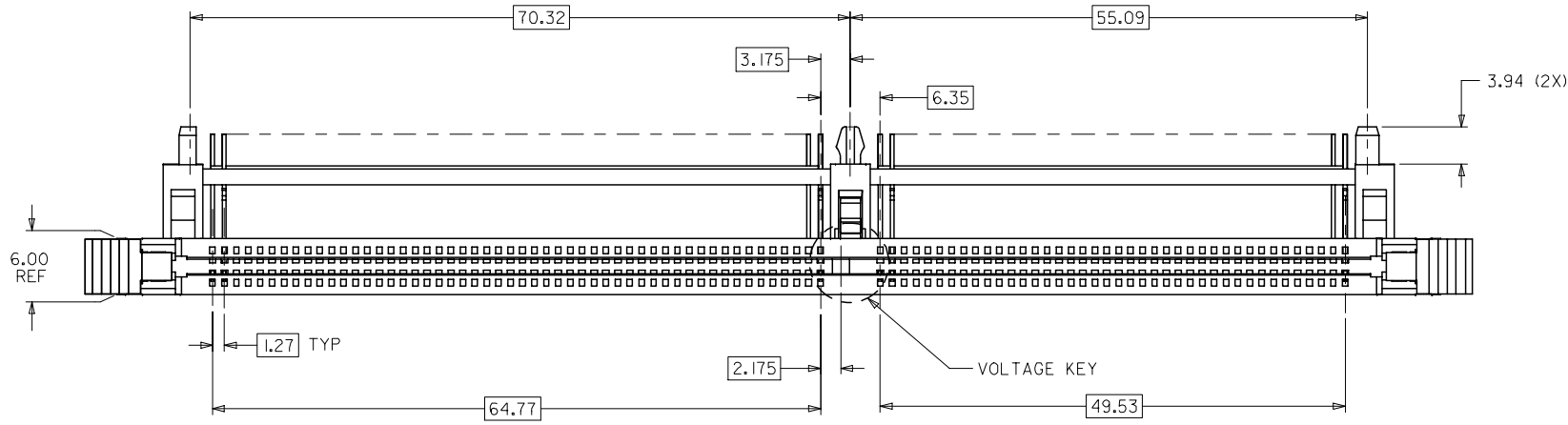


10 9 8 7 6 5 4 3 2 1



NOTES

- MATERIALS:
 - HOUSING AND BASEPLATE - HIGH TEMP LCP GLASS FILLED, UL 94V-0
COLOR: BLACK
 - EJECTORS - HIGH TEMP NYLON GLASS FILLED, UL 94V-0
COLOR: NATURAL (OFF WHITE)
 - TERMINALS AND FORKLICK - COPPER ALLOY
- FINISHES: CONTACT AREA: SEE TABLE
 SOLDER TAIL: 2.54mm/100µMIN. TIN
 UNDERPLATE: 1.27mm/50µ IN. NICKEL
- PRODUCT SPECIFICATIONS: PS-87609-002 FOR PERFORMANCE SPECIFICATIONS.
- DATE CODE SHALL BE MARKED LEGIBLY AS SHOWN: XX XX
 YEAR WEEK
- PART NUMBER SHALL BE MARKED LEGIBLY AS SHOWN: 87655-0XXX
 REFER TO TABLE

OBS TIN/LEAD P/N	EC NO: S2006-0746	2006/02/27
	DRWN:MLONG	2006/02/28
	CHKD:HO	2006/02/28
	APPR:GJLEE	2006/02/28

QUALITY SYMBOLS	▽=0
	∇=0

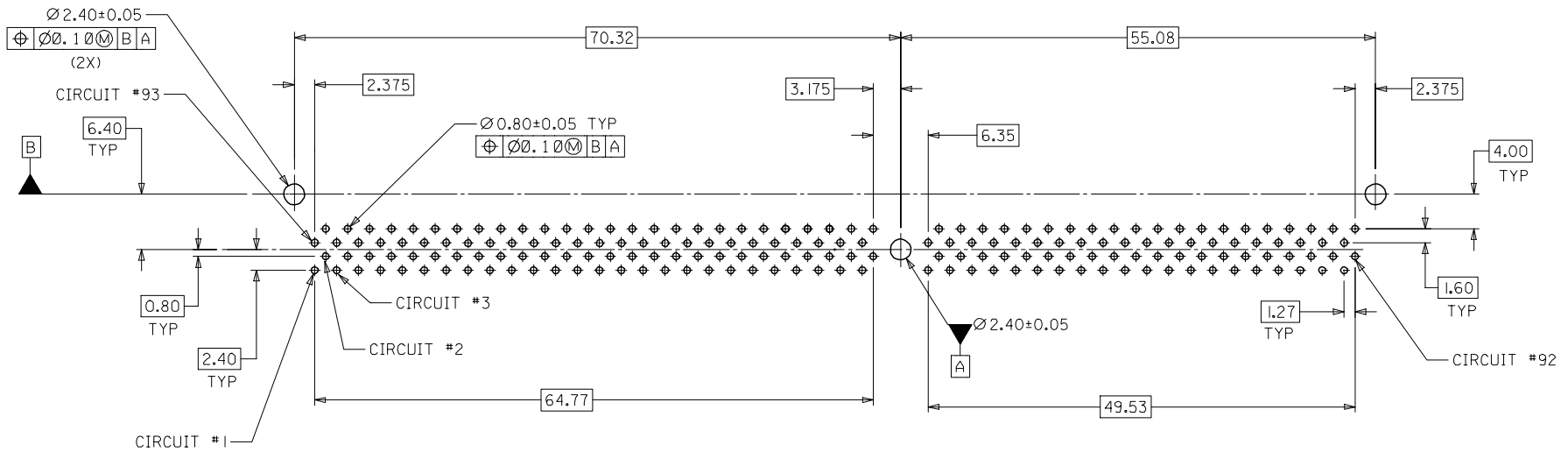
GENERAL TOLERANCES (UNLESS SPECIFIED)		
	mm	INCH
4 PLACES	± ---	± ---
3 PLACES	± ---	± ---
2 PLACES	± 0.25	± ---
1 PLACE	± ---	± ---
ANGULAR ± 5 °		
DRAFT WHERE APPLICABLE MUST REMAIN WITHIN DIMENSIONS		

DIMENSION STYLE		SCALE	DESIGN UNITS	THIRD ANGLE PROJECTION
MM ONLY		NTS	METRIC	
DRAWN BY	DATE	TITLE		
MLONG	2000/12/21	DDR DIMM, 1.27MM PITCH		
CHECKED BY	DATE	184 CKTS, R/A		
SQUEK	2000/12/29			
APPROVED BY	DATE			
SKTOH	2000/12/29			
MATERIAL NO.	DOCUMENT NO.	SHEET NO.		
SEE TABLE	SD-87655-001	1 OF 3		

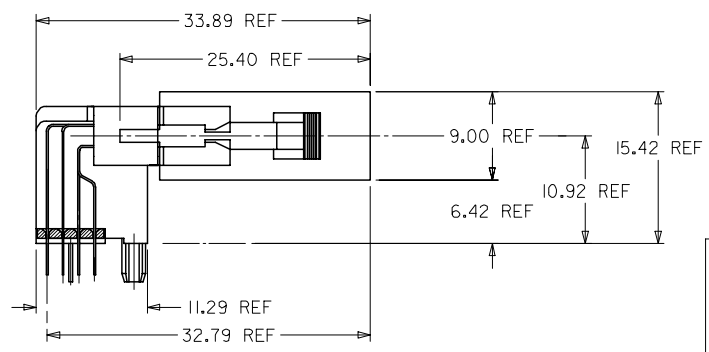
MOLEX INCORPORATED	
THIS DRAWING CONTAINS INFORMATION THAT IS PROPRIETARY TO MOLEX INCORPORATED AND SHOULD NOT BE USED WITHOUT WRITTEN PERMISSION	

9 8 7 6 5 4 3 2 1

CONTACT AREA	PART NUMBER	VOLTAGE KEY	TAIL LENGTH P±0.25	RECOMMENDED PCB THICKNESS
0.38µm/15µ" MIN. GOLD	87655-0004	LEFT (2.5V)	2.79	1.57
	87655-0005		3.18	
0.76µm/30µ" MIN. GOLD	87655-0007		2.79	



RECOMMENDED
P.C. BOARD HOLE PATTERN
(CONNECTOR SIDE)



ACTUAL MODULE HEIGHT AND CLEARANCE
WHEN USING A 9.00MM THICK BY 25.40MM HEIGHT
MODULE (TYPICAL SOJ PACKAGING).

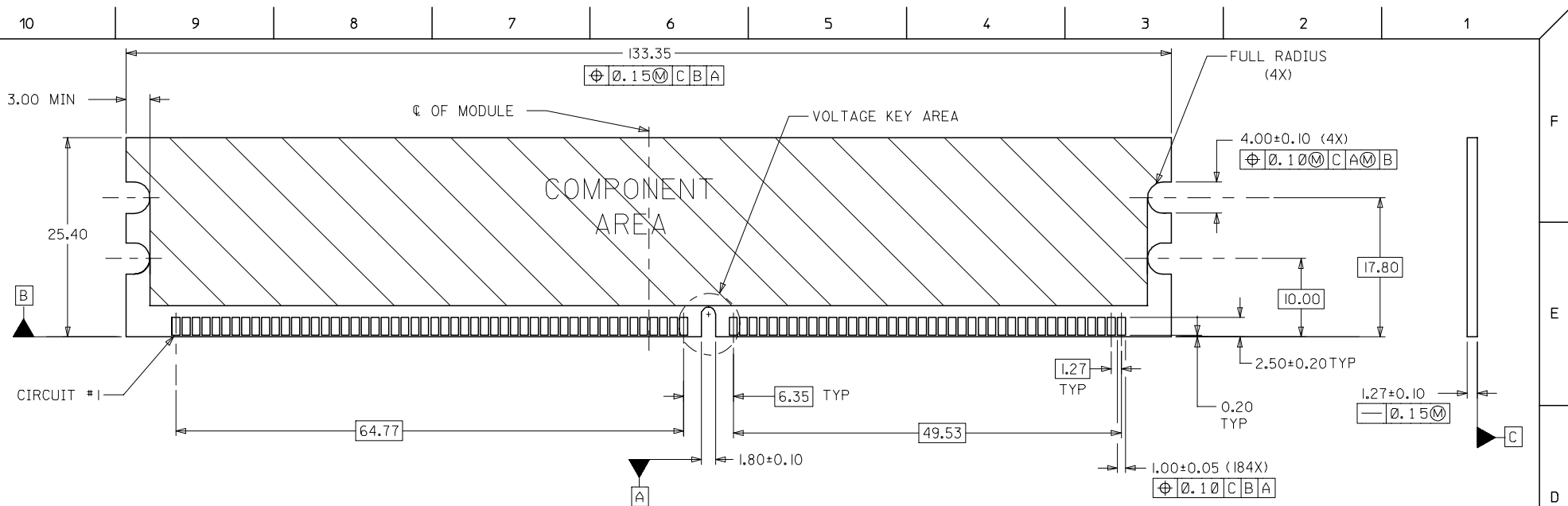
OBS TIN/LEAD P/N	2006/02/27
EC NO: S2006-0746	2006/02/28
DRWN:MLONG	2006/02/28
CHKD:IHO	2006/02/28
APPR:GGLLEE	2006/02/28

QUALITY SYMBOLS	DESCRIPTION
▽=0	
▽C=0	

GENERAL TOLERANCES (UNLESS SPECIFIED)	
mm	INCH
4 PLACES ± ---	± ---
3 PLACES ± ---	± ---
2 PLACES ± 0.25	± ---
1 PLACE ± ---	± ---
ANGULAR ± 5 °	
DRAFT WHERE APPLICABLE MUST REMAIN WITHIN DIMENSIONS	

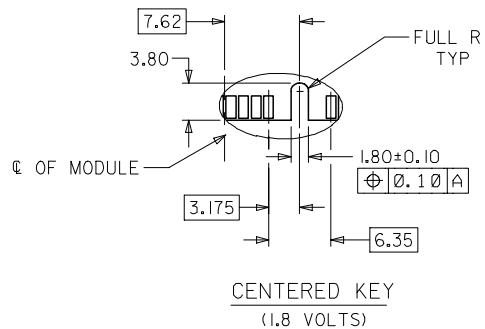
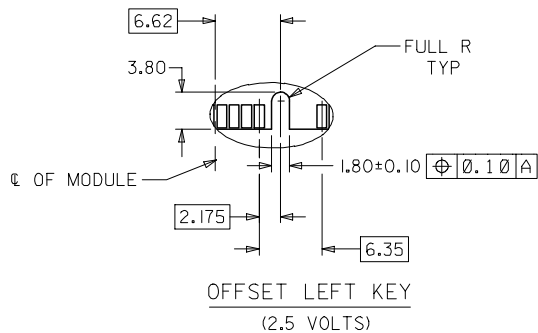
DIMENSION STYLE	
MM ONLY	
DRAWN BY	DATE
MLONG	2000/12/21
CHECKED BY	DATE
SQUEK	2000/12/29
APPROVED BY	DATE
SKTOH	2000/12/29
MATERIAL NO.	
SEE TABLE	
SIZE	A3

SCALE	DESIGN UNITS	THIRD ANGLE PROJECTION
NTS	METRIC	
TITLE		
DDR DIMM, 1.27MM PITCH 184 CKTS, R/A		
MOLEX INCORPORATED		
DOCUMENT NO.		SHEET NO.
SD-87655-001		2 OF 3
THIS DRAWING CONTAINS INFORMATION THAT IS PROPRIETARY TO MOLEX INCORPORATED AND SHOULD NOT BE USED WITHOUT WRITTEN PERMISSION		



RECOMMENDED MODULE LAYOUT
 (PER JEDEC STANDARD MO-206, 184 CKT.)
 UNLESS OTHERWISE SPECIFIED, GENERAL TOLERANCE FOR MODULE = ±0.13

VOLTAGE KEY AREA OPTIONS



OBS TIN/LEAD P/N EC NO: S2006-0746 DRWN:MLONG CHKD:IHO APPR:GJLEE	REV DESCRIPTION	QUALITY SYMBOLS	GENERAL TOLERANCES (UNLESS SPECIFIED)	DIMENSION STYLE	SCALE	DESIGN UNITS	THIRD ANGLE PROJECTION	
		▽=0 ∇=0	mm INCH	MM ONLY	NTS	METRIC		
			4 PLACES ± --- ± --- 3 PLACES ± --- ± --- 2 PLACES ± 0.25 ± --- 1 PLACE ± --- ± ---	DRAWN BY DATE MLONG 2000/12/21	TITLE	DDR DIMM, 1.27MM PITCH 184 CKTS, R/A		
			ANGULAR ± 5 °	CHECKED BY DATE SQUEK 2000/12/29	APPROVED BY DATE SKTOH 2000/12/29	MOLEX MOLEX INCORPORATED		
		DRAFT WHERE APPLICABLE MUST REMAIN WITHIN DIMENSIONS	SIZE A3	SEE TABLE	DOCUMENT NO. SD-87655-001	SHEET NO. 3 OF 3		